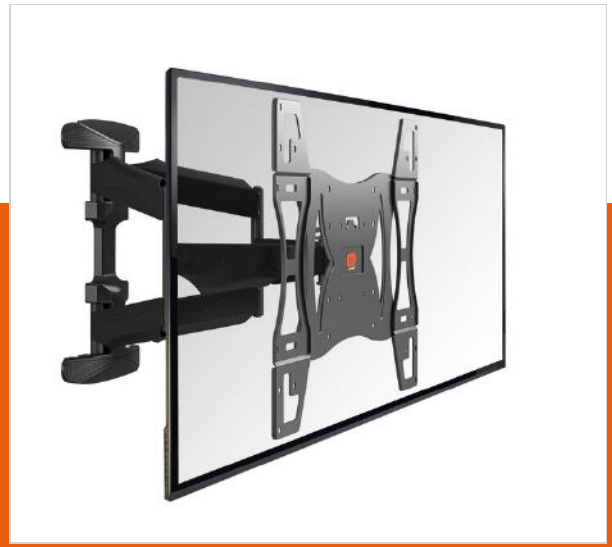


# BASE 45 L Full-Motion TV Wall Mount

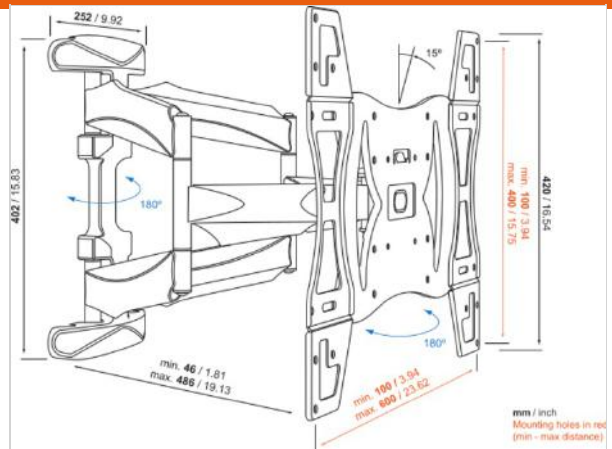
Article nr 8343345  
 Colour Black



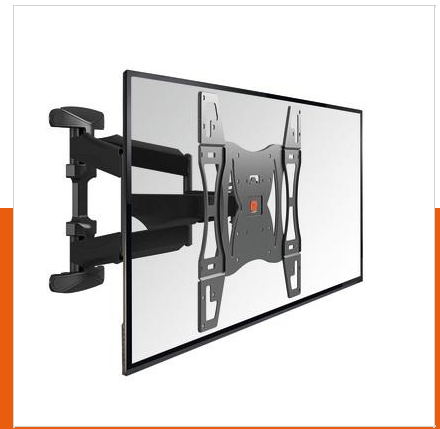
## Key benefits

- Strong and Simple: solid, secure solutions to mount your TV
- Smoothly turn your TV up to 180°
- Lock your TV securely in place

Enjoy your TV mounted (very) flat to the wall, and turn and tilt it towards you for the perfect viewing angle. The TURN & TILT LARGE wall mount from Physix is suitable for TV's from 40" to 65" weighing up to 45 kg. This universal support is suitable for almost all brands (use our MOUNT MATCHER to find exactly the right mount size for your TV). It comes with easy mounting instructions, as well as all the screws and wall plugs you might need. The Turn functionality let's you turn the screen left or right up to 60 degrees (depending on TV size) or tilt it 15 degrees, to ensure the perfect viewing angle from anywhere you want to watch.



# BASE 45 L Full-Motion TV Wall Mount



VOGEL'S HOLDING BV 2017 (c) All rights reserved  
Subject to printing errors, technical and price  
amendments  
Date: 10-03-2017

www.vogels.com

## Specifications

### Product specifications

Product type number	BASE 45 L
Article number (SKU)	8343345
Colour	Black
EAN single box	8712285324369
Product size	L
TÜV certified	Yes
Tilt	Tilt up to 15°
Turn	Up to 120°
Guarantee	10 years
Min. screen size (inch)	40 inch
Max. screen size (inch)	65 inch
Max. weight load (kg)	45
Fixed VESA patterns	100 mm x 100 mm 100 mm x 200 mm 200 mm x 100 mm 200 mm x 200 mm 400 mm x 200 mm 400 mm x 300 mm 400 mm x 400 mm 500 mm x 300 mm 600 mm x 200 mm 600 mm x 400 mm 600 mm x 300 mm
Max. bolt size	M8
Max. height of interface (mm)	420

Max. width of interface (mm) 627

### Features

Functionality Turn

### Technical specifications and dimensions

Min. distance to the wall (mm) 46  
Max. distance to the wall (mm) 486

